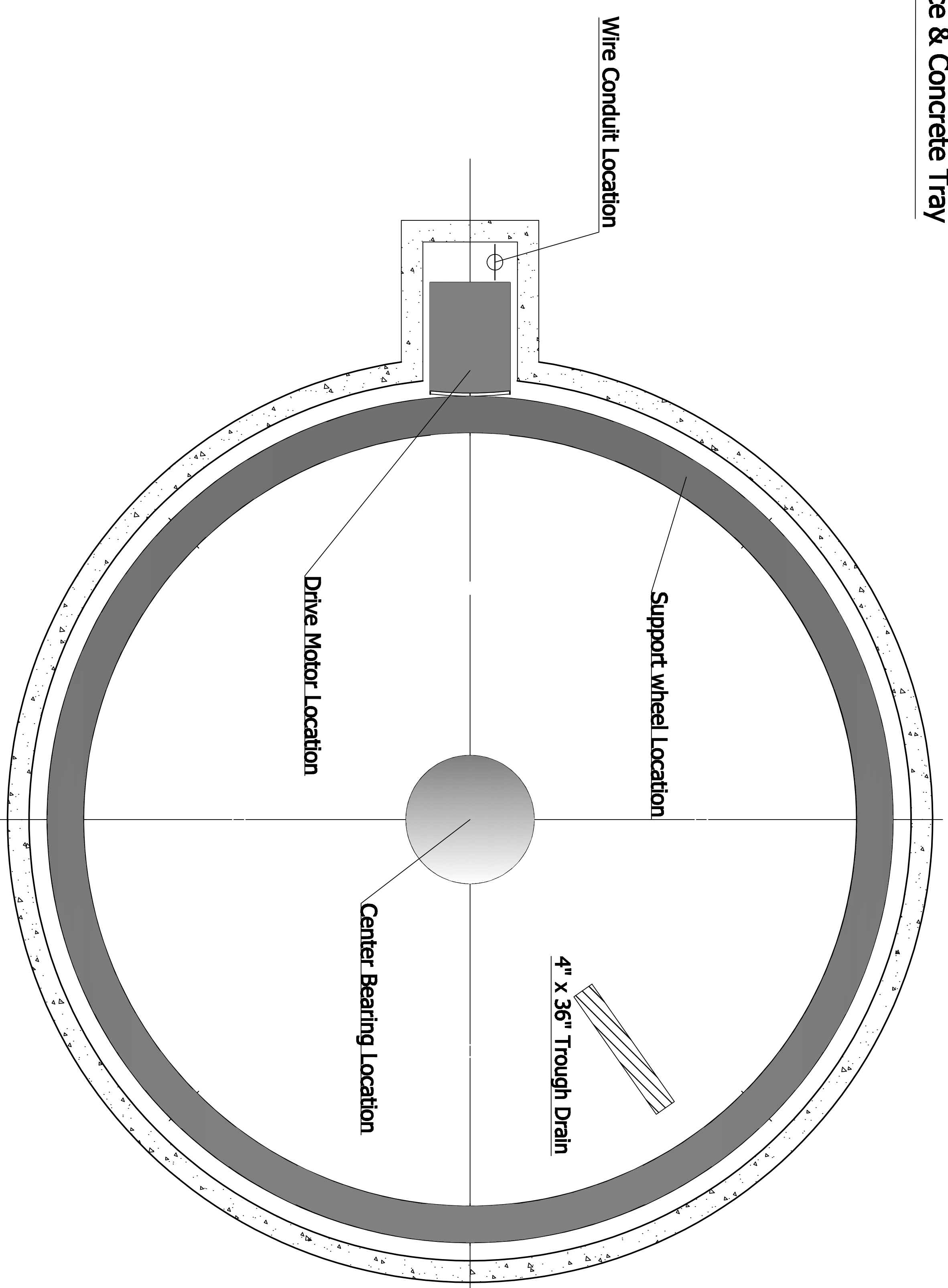
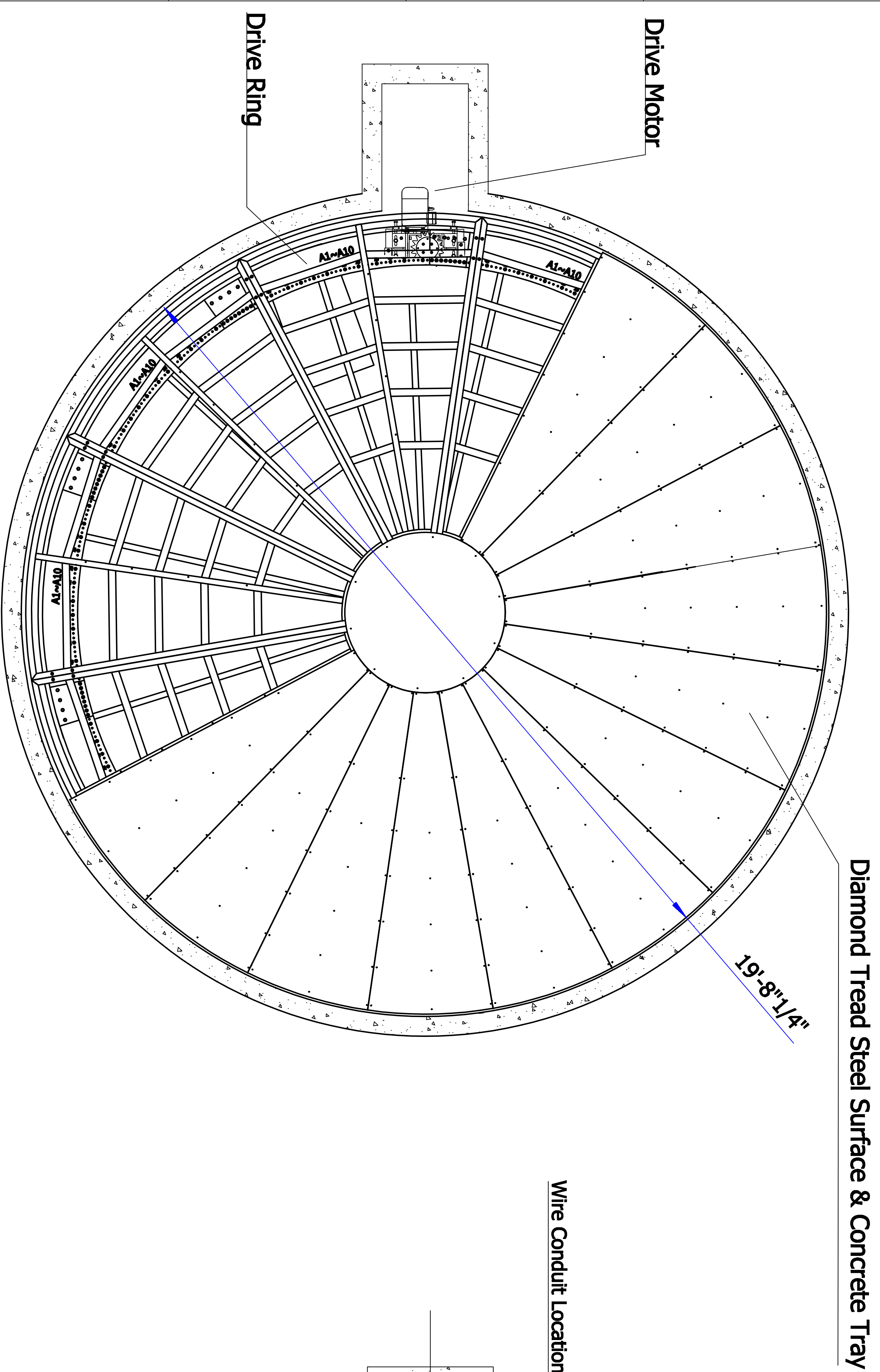
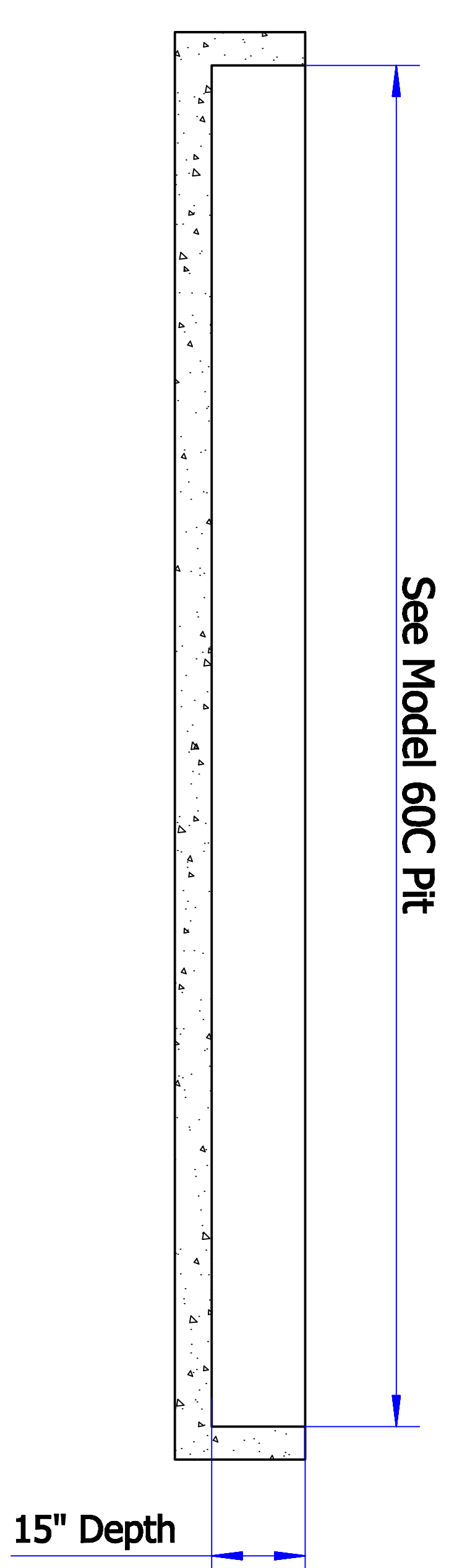
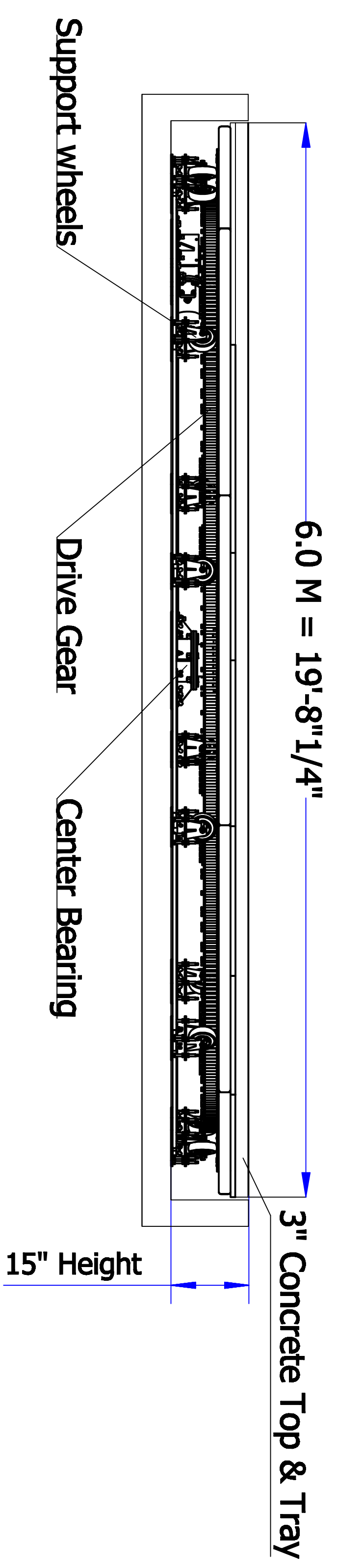


Model 60

(for use with Concrete Top)



Turntable Specifications

1. Height: 15" (+/- 1/4" adjustable).
2. Load Capacity: 10,000 lbs evenly distributed.
3. Rotation Speed: 0.2~1RPM (variable, forward and reverse).
4. Power required: 220-230V, 15 Amps, single-phase.
5. Motor: 1 H.P., 3 Phase, T.E.F.C.
6. Steel surfaces painted with a rust resistant grey paint, hot-dip zinc is optional.
7. Concrete Top: Scoring concrete at seams of steel frame is required.
8. Concrete will crack

Pit Specifications

1. Pit formed in concrete, wire mesh reinforcement.
2. Pit bottom error of level to be less than 1/2".
3. Circularity of error (diameter) of pit to be less than 1/2".
4. The weight of Model 60 C turntable is 6000 lbs, plus brick or concrete.
5. The shaded areas above indicate table load points.
6. Drainage: use 36" of Zurr Z884 4" wide trench drain or similar.

REVISIONS

NO.	DATE	BY	CHKD	APP'D	DESCRIPTION

1	SS	DRWN
2	SS	CHKD
3	JT	APPROVED
4	09/11/2007	DATE
5	XXXXXXXXXXXX	PROJECT

MODEL 60C
TURNTABLE

M-60C